

Brass Spring Check Valve - Acetal Disc

LV 2280

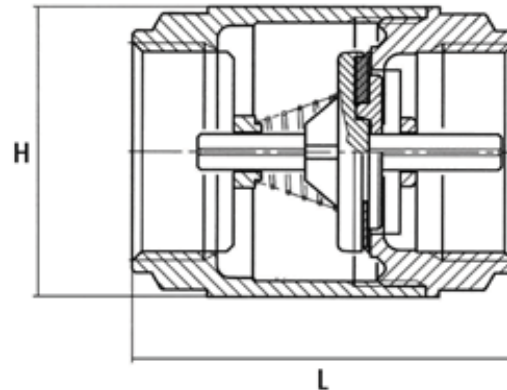
Screwed BSPP, 0.02 Bar Opening Pressure, NBR Gasket



Pressure / Temperature Specifications	
Pressure	PN16 ¼" to 1" PN10 1¼" to 2" PN8 2½" to 4"
Temperature	-10°C to 110°C

Materials	
Body	CW617N UNI 12165 Brass
Seat	NBR
Spring	AISI 302

Dimensions			
Size	H	L	Kg
¼"	28	45	0.1
⅜"	30	43	0.14
½"	34	46	0.13
¾"	41	50	0.19
1"	47.5	56	0.24
1¼"	55.5	62	0.35
1½"	67.5	66	0.53
2"	81	74	0.75
2½"	102.5	93	1.69
3"	112	98	1.98
4"	142.5	108	3.69



All information is sourced from our manufacturer's data and is intended for guidance only - Leengate Valves can accept no liability for changes, omissions or errors.