

### Receiver

### From

Society  
Reference  
Address  
Phone  
Fax  
E-mail

#### Item n° :

60179457

#### Model :

E.SYBOX MINI 3

#### Pump data

Pressure rating : 7,5 bar (750 kPa)  
SETTABLE CONSTANT PRESSURE FROM 1 TO 5,5 bar  
Min. fluid temperature : 0 °C  
Max. fluid temperature : 40 °C  
Max. Ambient temperature : 50 °C

#### Requested data

Flow :  
Head :  
Fluid : Water  
Fluid Temperature : 20 °C  
Density : 998,3 kg/m<sup>3</sup>  
Kinematic viscosity : 1,005 mm<sup>2</sup>/s  
Vapor pressure : 2,34 kPa

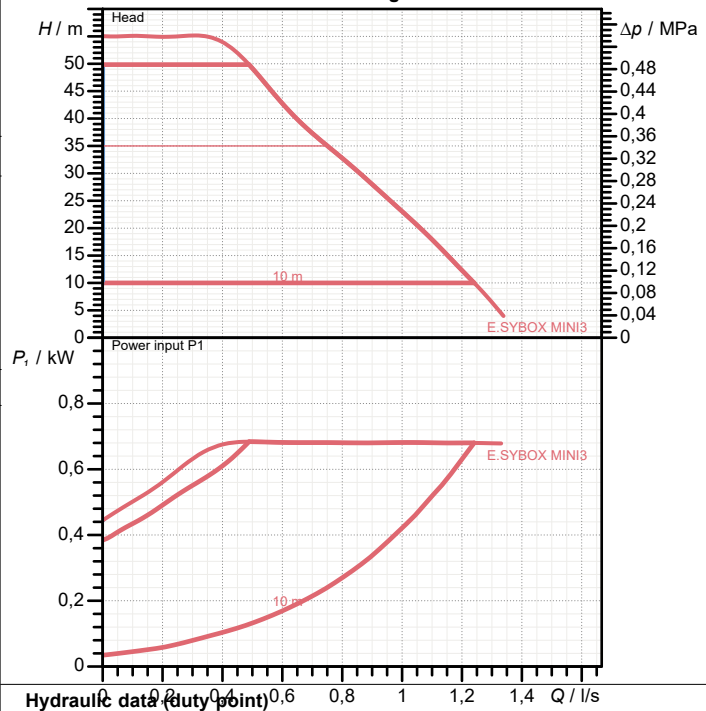
#### Materials

Motor liner	Stainless Steel AISI 304
OR ring	NBR
Mechanical seal	Impregnated carbon-resin/Ceramic/NBR
Plugs	PA 6.6 30% FV / PP OMO 30% FV
Suction body	PP OMO 30% GF
Insert	Brass
Spring	AISI 303
Diffuser	Noryl
Impeller	Noryl
Discharge section	PP OMO 30% GF
Non-return valve	Technopolymer/Rubber/Steel
Tank	Technopolymer/Rubber
Pressure sensor body	Technopolymer
MOTOR BODY	PP OMO 30% GF
Seal disk	PA 6.6 30% GF
Selfpriming shutter	POM
Heat sink	Brass
Flowmeter wheel	POM

#### Motor data

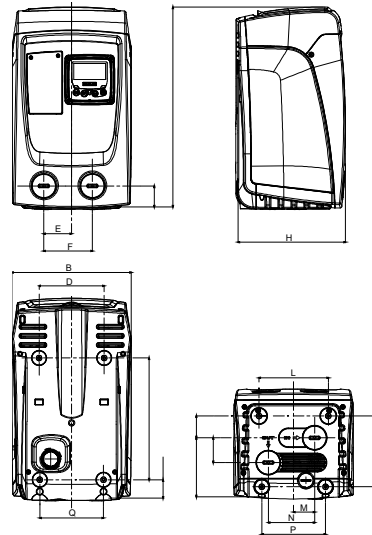
Power input P1 : 0,85 kW  
Rated speed : 3.000 1/min  
Rated voltage : 1~ 220-240 V 50 Hz  
Nominal current : 4,8 A  
Degree of protection : IP X4

#### Curve tolerance according to ISO 9906



#### Hydraulic data (duty point)

Flow :  
Head :



#### Dimensions in mm

A	439	G	279,5	P	140
B	263	H	236	Q	140
C	46	I	40,5	R	155,5
D	143	L	152	S	47,8
E	60,7	M	46	T	133
F	106,7	N	101,7	V	54,5

Weight : 14,6 kg

#### Pump connection

Suction side : 1" G / 7,5 bar (750 kPa)  
Discharge side : 1" G / 7,5 bar (750 kPa)



# PERFORMANCE CURVES

2020-09-14

Page 2 / 3

DAB PUMPS S.p.A.  
Via Marco Polo, 14 - 35035 Mestrino (PD), Italy  
Tel. +39 049 5125000 - Fax +39 049 5125950  
www.dabpumps.com

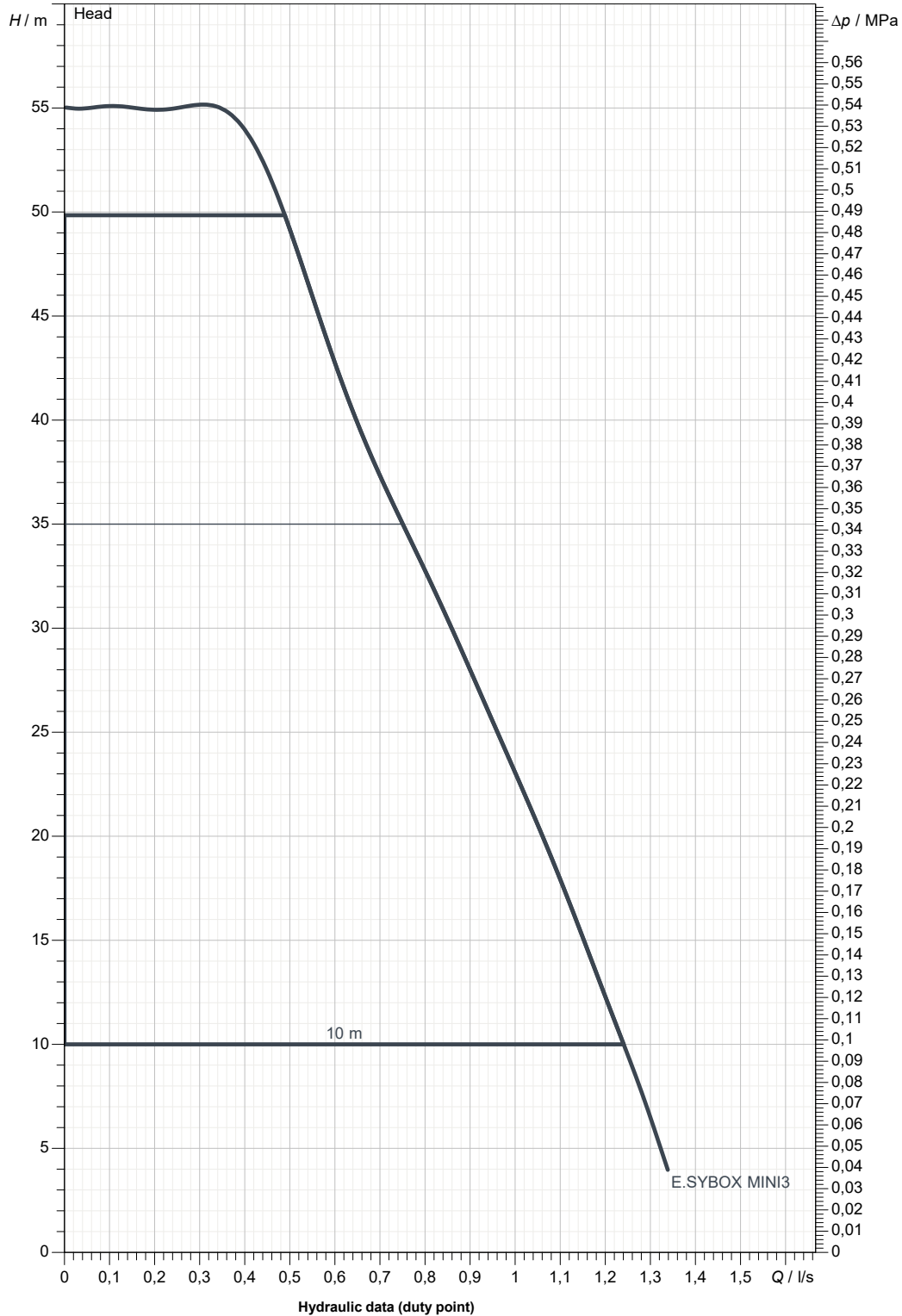
Receiver

From

Society  
Reference  
Address  
Phone  
Fax  
E-mail

## E.SYBOX MINI 3

Curve tolerance according to ISO 9906



Suction side :  
1" G  
7,5 bar (750 kPa)

Discharge side :  
1" G  
7,5 bar (750 kPa)

Flow :

Head :

Rated speed :  
3.000 1/min

MAIN\_PROJECT\_TITLE

BUSINESS\_PROCESS\_IC

OWNER\_

ISSUE\_DATE

2020-09-14



# DIMENSIONAL DRAWING

2020-09-14

Page 3 / 3

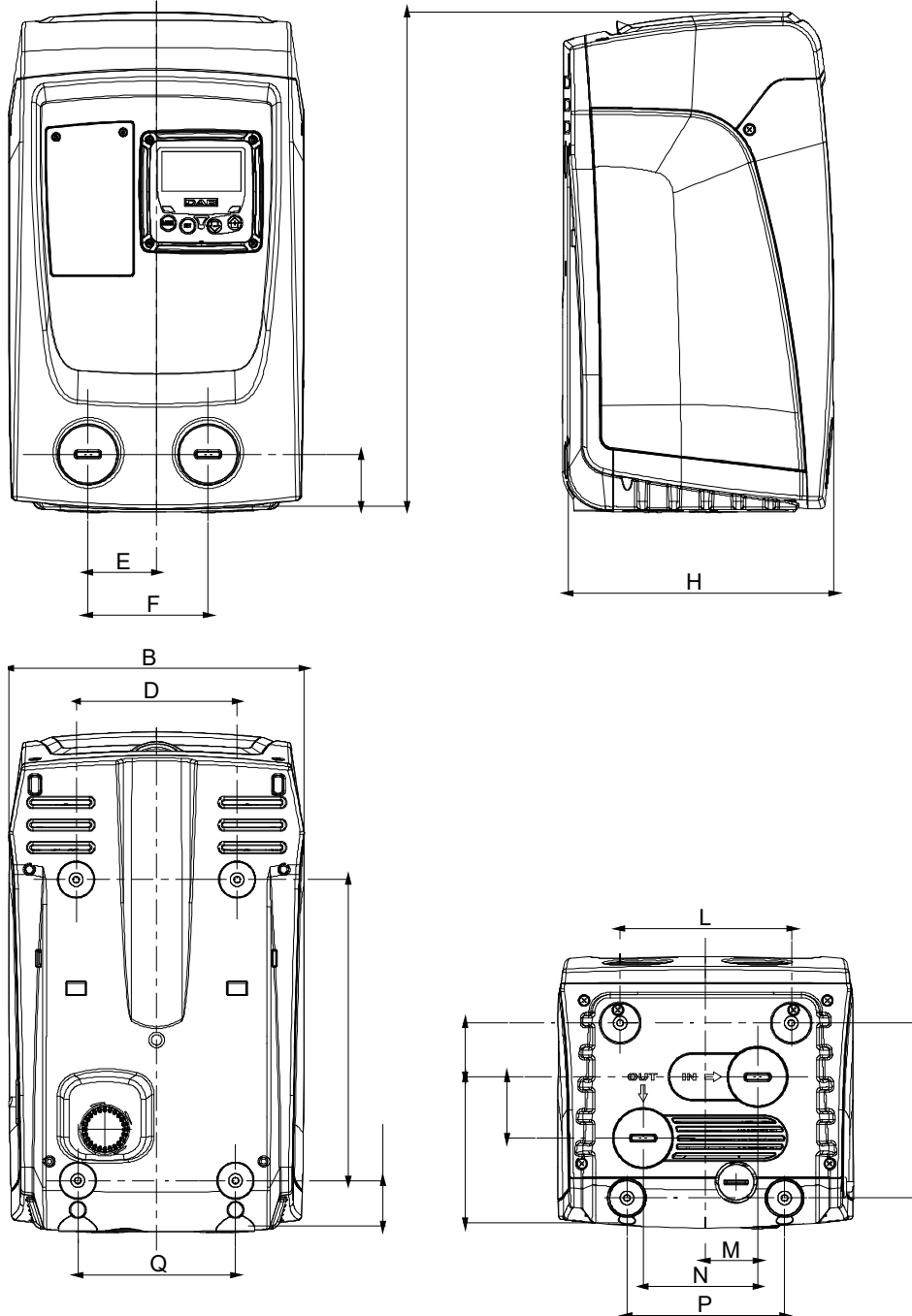
DAB PUMPS S.p.A.  
Via Marco Polo, 14 - 35035 Mestrino (PD), Italy  
Tel. +39 049 5125000 - Fax +39 049 5125950  
www.dabpumps.com

Receiver

From

Society  
Reference  
Address  
Phone  
Fax  
E-mail

## E.SYBOX MINI 3



Dimensions in mm

Pump connection

1	A	439
2	B	263
3	C	46
4	D	143
5	E	60,7
6	F	106,7
7	G	279,5
8	H	236
9	I	40,5
10	L	152
11	M	46
12	N	101,7

P	140
Q	140
R	155,5
S	47,8
T	133
V	54,5

Suction  
1" G  
7,5 bar (750 kPa)

Discharge  
1" G  
7,5 bar (750 kPa)

MAIN\_PROJECT\_TITLE

BUSINESS\_PROCESS\_ID

OWNER

ISSUE\_DATE

2020-09-14